

**GCOS 7 session**

**TechSem 2002**

**Paris, March 20-22**

# **Cartridge Storage: offer evolution**

**Pascal Moret**

***GCOS Cartridge Storage Product Manager***



# Tape evolution for DPS 7000/TA

- **Current Offer = the best according to MSP/WSP**
  - ◆ **PowerSave 8000**
  - ◆ **PowerExchange-18/36**
  - ◆ **TimberLine: up to inventory capability**
  - ◆ **PowerExchange-9: up to inventory capability**
  
- **Maintain the installed park**
  - ◆ **ACSL 6.0.1 and upgrade kit for Unix server**
  
- **New process for OpenSave commercialization**

# Tape evolution for DPS 7000/XTA

- **Fibre Channel introduction**
  - ◆ **PowerSave loader**
  - ◆ **OpenSave**
  
- **New process for OpenSave commercialization**
  - ◆ **Global solution for GCOS 7 and Open side**
  - ◆ **Recommended and standard Offer**
  - ◆ **Continuous improvement**
    - **GCOS 7 agent**
    - **Integration on Diane Open side**

# PowerSave 8000 FC for DPS 7000/XTA

## ■ PowerSave 8000 FC = Fibre Channel Connection

### ◆ Loader model announcement

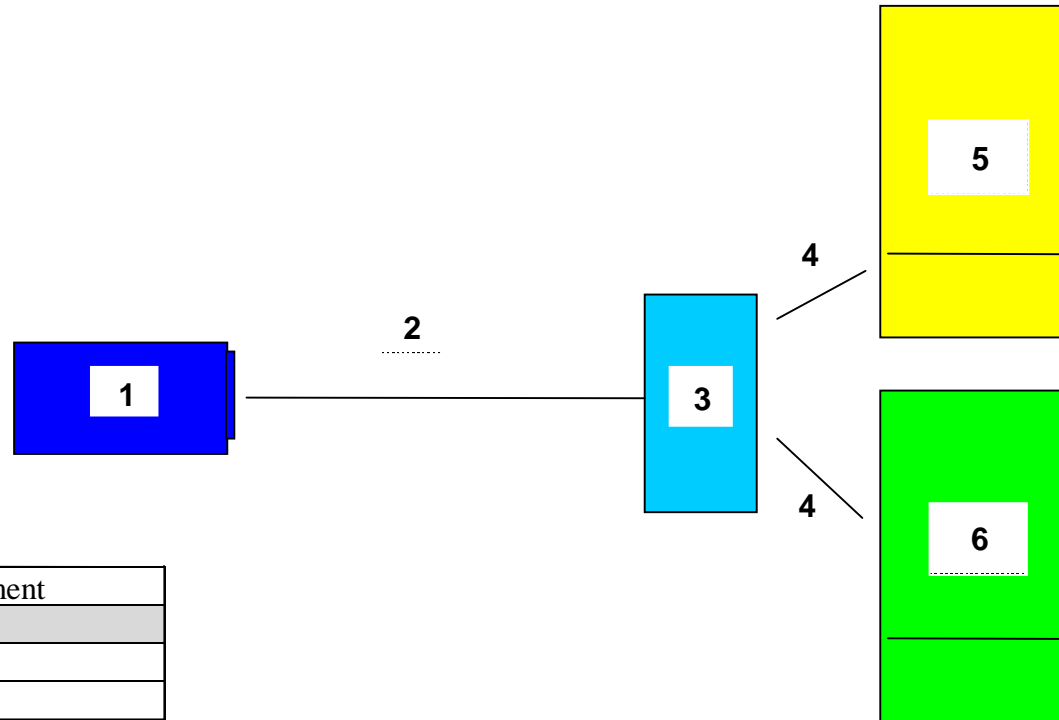
- Beta: April 2002
- PowerSave 8000 FC and Streamline
- Single model is planned in 2H2002

### ◆ Benefits

- Remote connections
- Compatibility with other PowerSave SCSI
- Larger slots panel available for tapes
- Switches Brocade



# PowerSave 8000 FC for DPS 7000/XTA



|                         | Description          | Comment                    |
|-------------------------|----------------------|----------------------------|
| <b>Streamline Diane</b> |                      |                            |
| 1                       | Fibre Channel adaper | LP80000                    |
| 2                       | Optical FC cable     | Optional                   |
| 3                       | Switch Brocade       | Optional                   |
| <b>PowerSaveFC 1</b>    |                      |                            |
| 4                       | Optical FC cable     | Co-requisite               |
| 5                       | PowerSave8000FC #1   | Overland + galileo stacked |
| <b>PowerSaveFC 2</b>    |                      |                            |
| 4                       | Optical FC cable     | Co-requisite               |
| 6                       | PowerSave8000FC #2   | Overland + galileo stacked |

# OpenSave Evolution

- **Introduction of Building blocks**
  - ◆ **for customer tailored configurations**
  
- **Open side of Diane**
  - ◆ **Oracle**
  - ◆ **SQL Server**
  
- **New technologies**
  - ◆ **DLT8000 and Galileo Fibre Channel**
  - ◆ **Overland libraries LXN2000 and LXN4000**

# Building Blocks

## ■ OpenSave License

- ◆ Aix based package
- ◆ Windows 2000 based package

**Includes unlimited licenses, documentation, services**

## ■ OpenSave Server Platform

- ◆ AIX
- ◆ Windows 2000

**Cannot be the Open side of Diane**

# Building Blocks

## ■ Open agents:

- ◆ Windows 95, 98, millenium
- ◆ Windows 2000
- ◆ Unix

## ■ Specialized agents

- ◆ SQL Server agent on Windows 2000
- ◆ OBSI for Oracle on Windows 2000 to drive SQL-Backtrack

# Building Blocks

## ■ LXN2000 Package

- ◆ 26 slots providing a native capacity of 1.04TB of uncompressed data
- ◆ Delivered with 2 DLT8000
- ◆ Data Transfer Rate is 21 GB/hour per drive (maximum 35 GB/H with compression)

**Co-requisite:**  
streamlines to be connected to DPS 7000 platform (SCSI or Fibre Channel)



# Building Blocks

## ■ LXN4000 Package

- ◆ 52 slots providing a native capacity of 2.08TB of uncompressed data
- ◆ Delivered with 2 DLT8000
- ◆ Up to 4 drives
- ◆ Data Transfer Rate is 21 GB/hour per drive (maximum 35 GB/H with compression)

**Co-requisite:**

**Streamlines to be connected to DPS 7000 platform (SCSI or Fibre Channel)**



# Building Blocks

## ■ Streamlines

### ◆ GCOS 7 Full SAN Streamline

- LP8000 to connect up to 4 drives
- Galileo FC for each drive

### ◆ GCOS 7 Light streamline

- Galileo FC without LP8000

### ◆ Diane Open side Full streamline

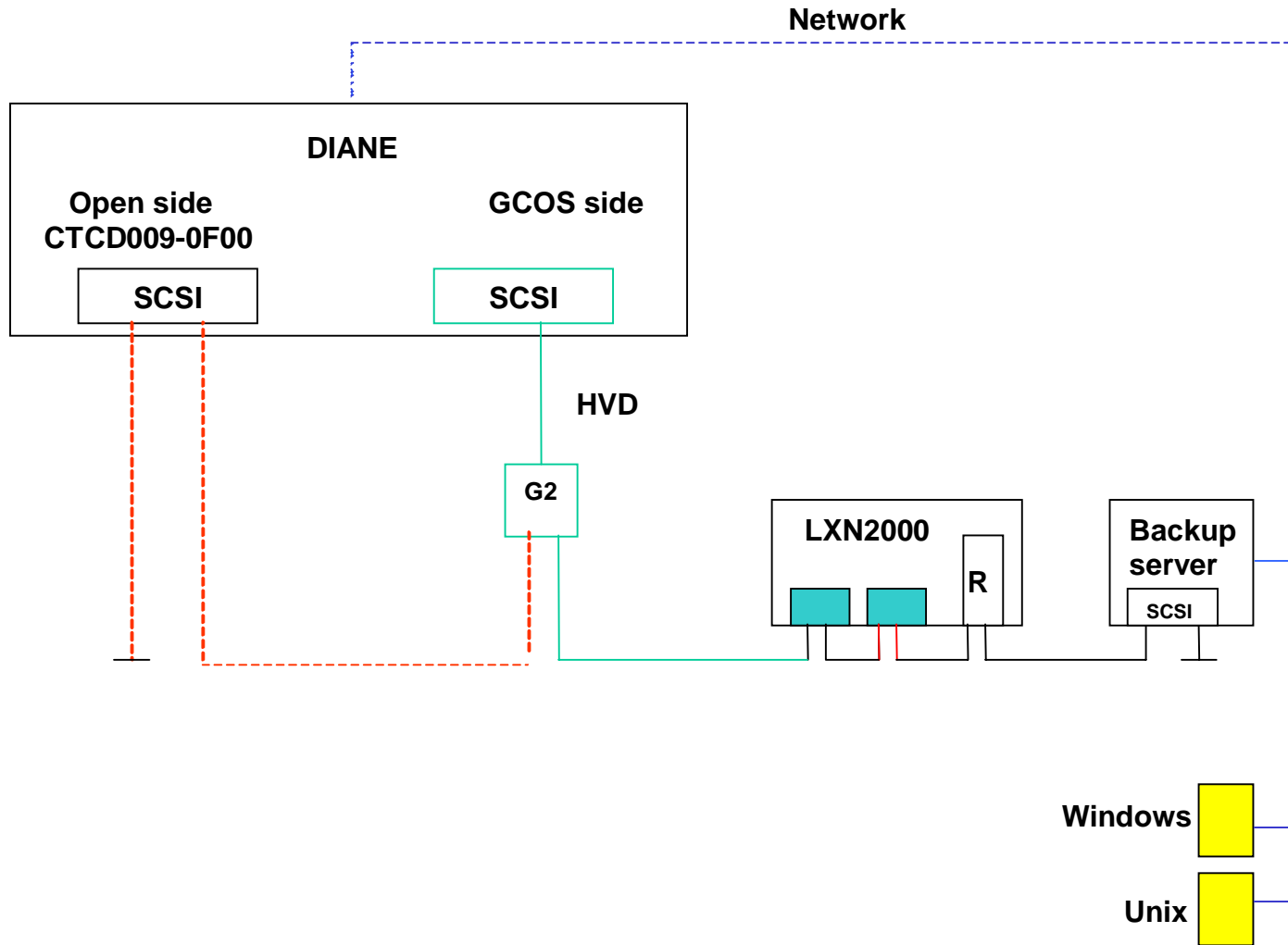
- LP8000 to connect up to 4 drives

## ■ San components

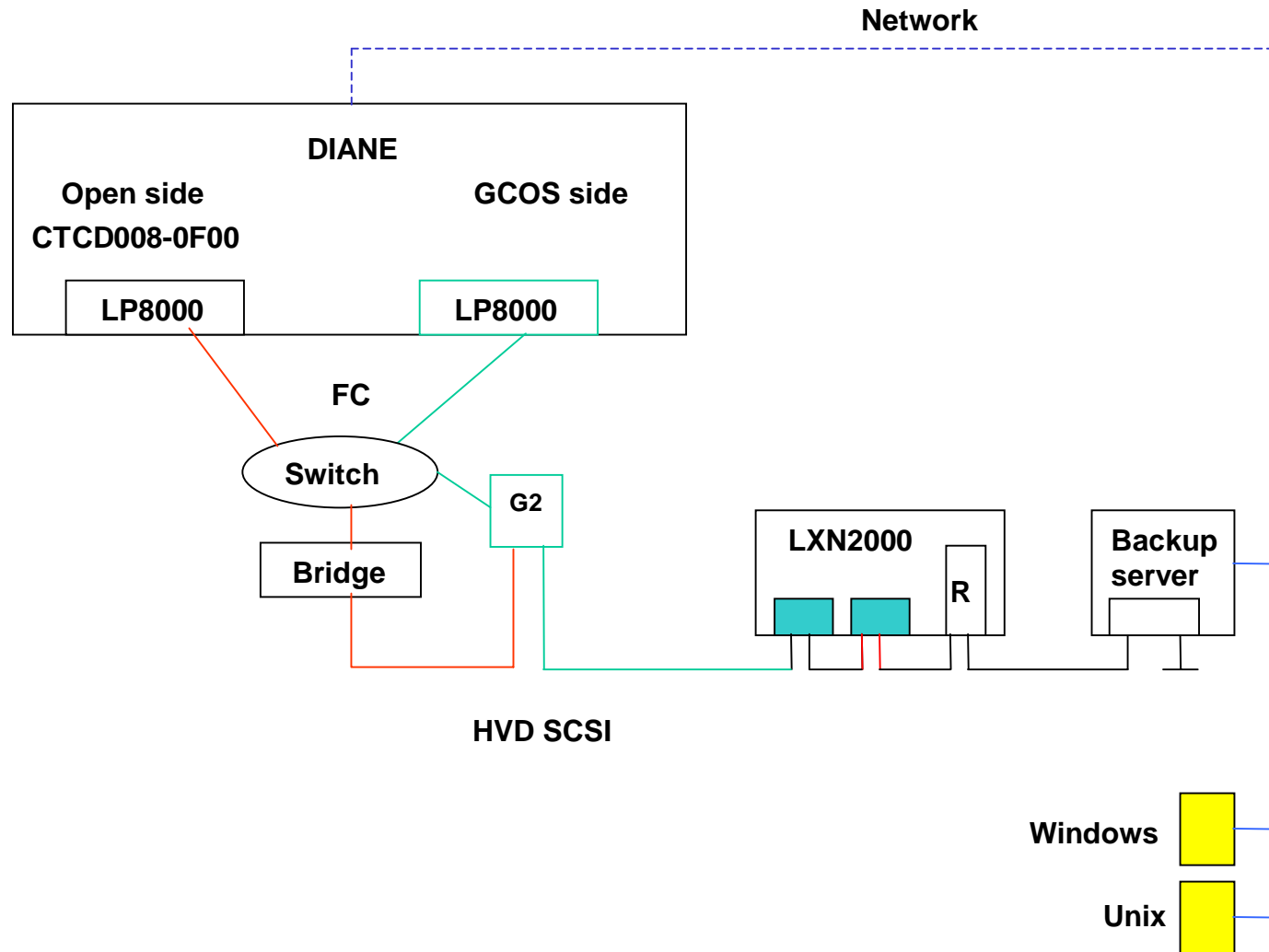
### ◆ Switches

### ◆ Bridges

# SCSI connection for 2 Drives



# Fibre Channel Connection for 2 drives



# Summary/Diane

## ■ 1H2002

- ◆ Fibre channel connections
- ◆ OpenSave GCOS 7 + Open running on external platform



## ■ Next steps

- ◆ GCOS 7 agent
- ◆ For large configurations, replacement of PowderHorn and WolfCreek with L700/L180 and STK9840